

# SUNWING® C+ The little 360° sunshade

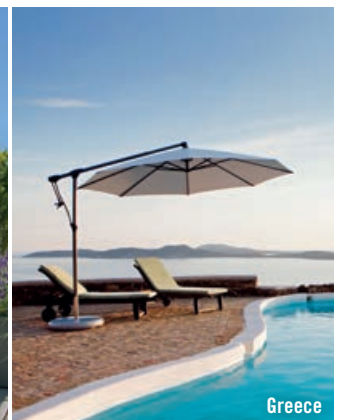
**Glatz**  
Shade in Swiss Quality



Point of use



Fixations



## Material and technology

- Frame:** 8 rods made of aluminium, with crank mechanism and integrated tilting rod for easy tilting of the shade roof up to 90° on both sides. The pole profile is round, 55 × 2.5 mm. With a removable hand crank.
- Framematerial:** material class 4 and 5: anodized natural or graphite grey powder-coated  
material class 2: graphite grey powder-coated
- Frameform:** round or square

- Shade cover:** self-tautening thanks to the flexible rod ends  
material class 5 (100% polyacrylic approx. 300 g/m<sup>2</sup>)  
material class 4 (100% polyester approx. 250 g/m<sup>2</sup>)  
material class 2 (100% polyester approx. 220 g/m<sup>2</sup>)
- Flounce:** not available
- Protective cover:** included in the standard equipment

## Assortment

	Nominal size cm	Lateral distance cm	Area covered m <sup>2</sup>	Height closed cm	Overhang at the back cm	Length of free-arm cm	Foundation cm	Minimum weight for base kg	max. wind speed open perm. km/h (wind force)	Order no. Frame anodized natural	Order no. Frame graphite grey
○	<b>A</b>	<b>AS</b>	<b>B</b>	<b>E</b>	<b>N</b>	<b>Z</b>	<b>C</b>				
	° Ø 265	245	5.0	105	70	160	60 × 60	90	30 (5)	055 00 265 171	055 00 265 321
	° Ø 300	280	6.4	85	70	160	60 × 60	90	30 (5)	055 00 300 171	055 00 300 321
	° Ø 330	305	7.7	70	70	160	60 × 60	90	30 (5)	055 00 330 171	055 00 330 321
□	° 260 × 260	-	6.8	55	70	160	60 × 60	90	30 (5)	055 00 261 171	055 00 261 321

°8 parts

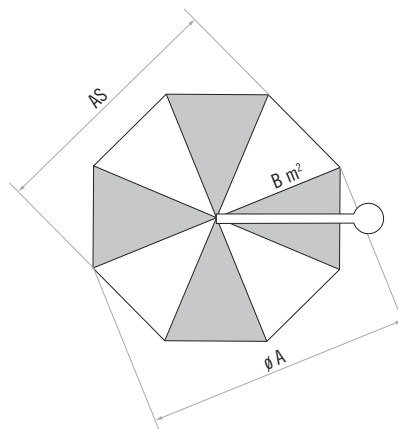
The listed measures represent extrapolated average values that may be slightly different on the product ( $\pm 2\% \pm 5$  cm).

The measures of the height are determined by the PX ground socket. If one of the offered bases is used, these measures change only slightly.

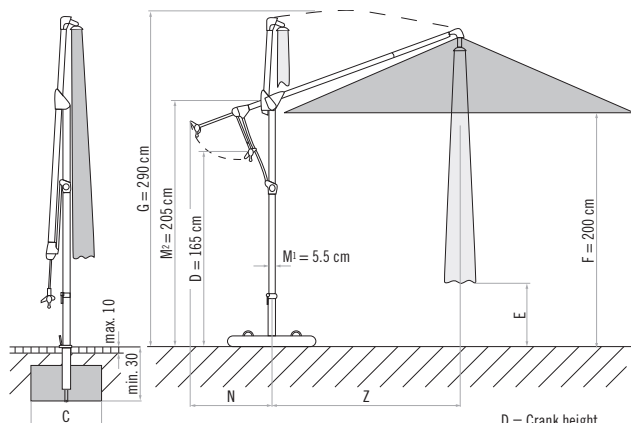
With the base variant these vary slightly. With the variants with the ground sockets M4 and mounting plate M4 / M8, the stated height dimensions vary by 12 – 13 cm.

The max. wind speed limits as per our separate sheet apply only if the sunshade canopy is in a horizontal position and if there is a fix ground anchorage.

In the presence of several sunshades, the minimum distance between one sunshade and another and between sunshades and walls shall be 20 cm.

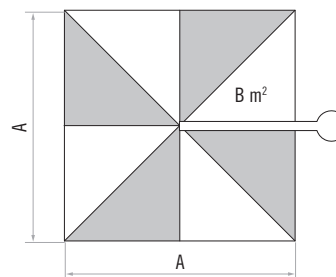


8 parts



Loose cover max. 10 cm, concrete thickness  
min. 30 cm (pay attention to frost depth),  
water outflow

D = Crank height  
F = Clear headroom  
G = Total height  
M¹ = Pole Ø  
M² = Height of pole



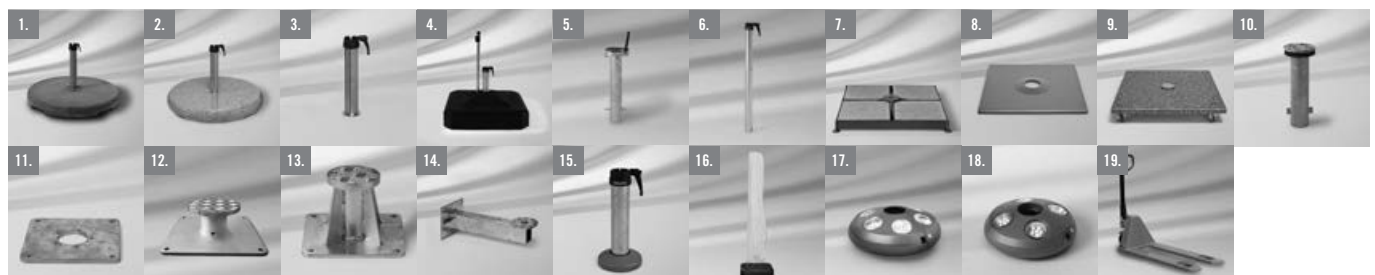
8 parts

## Accessories

	Order no.
<b>Fixing option Z (support tube Z absolutely necessary)</b>	
1. Concrete base Z, 90 kg, Ø 75 × 11 cm	350 01 109 523
2. Natural granite base Z, 90 kg, Ø 73 × 9 cm, natural stone	350 01 109 512
3. Support tube Z, Ø 48 / 55 mm, galvanised steel	350 01 201 210
3. Support tube Z, Ø 48 / 55 mm, high-grade steel 1.4301 / 304	350 01 201 300
<b><sup>3</sup>Base with castors (Weight set absolutely necessary)</b>	
4. Base frame with castors 100 kg, 74 × 74 × 17 cm, anthracite, with support tube Ø 48 / 55 mm, high-grade steel 1.4301 / 304 (Base frame ca. 30 kg)	350 01 102 500
Weight Set, 4 pieces 35001105500, concrete, for base with castors 100 kg (Weight Set ca. 70 kg)	350 01 103 500
Protective cover for base with castors 100 kg	350 01 602 500
<b>Fixing option PX (Connection tube PX absolutely necessary)</b>	
5. Ground socket PX, galvanised steel	350 01 207 001
5. Ground socket PX, high-grade steel 1.4301 / 304	350 01 207 011
6. Connection tube PX, Ø 48 / 55 mm, galvanised steel	350 01 206 001
6. Connection tube PX, Ø 48 / 55 mm, high-grade steel 1.4301 / 304	350 01 206 011
<b>Fixing option M4 (support tube M4 absolutely necessary)</b>	
7. Base M4, 120 kg, (for 8 plates 40 × 40 × 4 cm), 91 × 91 × 11.5 – 15.5 cm, galvanised steel (adjustable and levellable) (without plates)	350 01 108 235
8. Cover for base M4, 88 × 88 × 5 cm, brushed aluminium (imitation)	350 01 100 400
Set of castors for base M4 (maximum weight 240kg), Ø 5 cm, H= 5.5 cm, galvanised steel	350 01 100 500
9. <sup>3</sup> Granite base M4, 120 kg, 90 × 90 × 17 cm, natural stone with castors	350 01 109 470
10. Ground socket M4, galvanised steel	350 01 226 510
11. Mounting plate M4 / M8, 30 × 30 × 1.5 cm, galvanised steel	350 01 226 921
12. Mounting plate M4 special, for installation height 50 – 149 mm, galvanised steel	350 01 226 932
13. Mounting plate M4 special, for installation height 150 – 350 mm, galvanised steel	350 01 226 930
Mounting plate M4 for isolated grounds, installation height made to measure, high-grade steel 1.4301 / 304	350 01 229 730
14. Wall console M4, extension 480 mm, galvanised steel	350 01 229 405
15. Support tube M4, Ø 48 / 55 mm, galvanised steel	350 01 200 035
<b>Slabs for base M4</b>	
Slab set, 8 pieces, 40 × 40 × 4 cm, (ca. 110 kg), concrete	350 01 226 908
Slab set, 8 pieces, 40 × 40 × 4 cm, (ca. 115 kg), 4 pieces concrete, 4 pieces concrete in granite-look	350 01 226 909
<b>Protective cover, coated polyester fabric</b>	
16. Protective cover with zip and rod	350 01 609 976
<b>Miscellaneous items</b>	
17. Rechargeable battery light Osyryon 6 for pole Ø 30 – 50 mm, battery charger with european plug (type C) included (1 accumulator included)	350 01 557 950
18. Rechargeable battery light Osyryon 4 for pole Ø 30 – 50 mm, battery charger with european plug (type C) included (1 accumulator included)	350 01 557 910
Spare accu, 3.6 V, 2500 mAh (for Osyryon 4 & 6)	350 01 557 920
Osyryon 4 & 6 adaptor for SUNWING® C+, set of 5 pieces	350 01 557 940
19. <sup>1</sup> Base transporter for sockets weighing 120 kg, 180 kg, 240 kg, 430 kg and 620 kg	350 01 909 000

<sup>1</sup>while stocks last

<sup>3</sup>only suitable for smooth, joint free surface coverings





living area Neugrün, Mellingen



Dubai



living area Neugrün, Mellingen